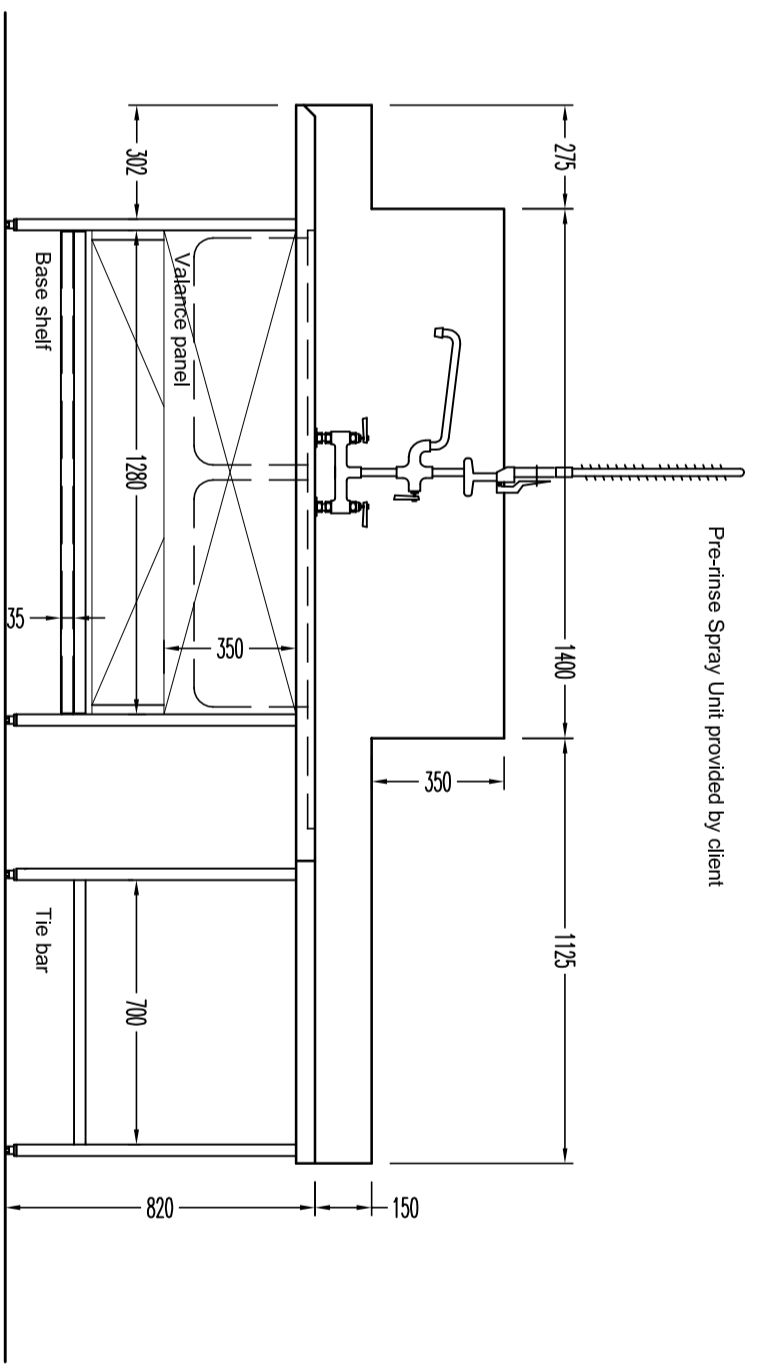


Typical Dishwash Connection Detail



Elevation A

CONTRACT		A PROJECT	
TITLE		DETAILS OF ST/ST DISHWASH TABLING	
SCALE	1-20 @ A2	DATE	19-09-08
DWG No	190808-01		
DRAWN BY	BM	STATUS	APPROVAL
CHK'D BY	CLIENT	REV	-

**CADMAN**  
Drawing Services  
21 Wheatfields, Lordswood Kent ME5 8HW  
T: 07952 861607 F: 01634 686335  
www.cadman-uk.co.uk